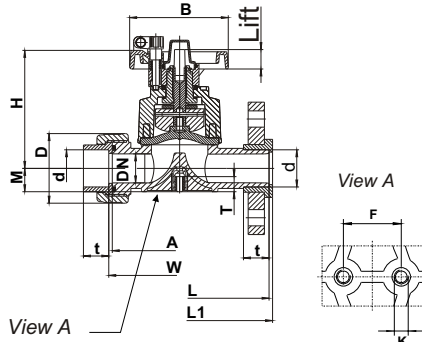
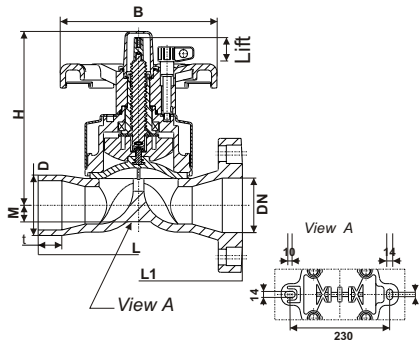


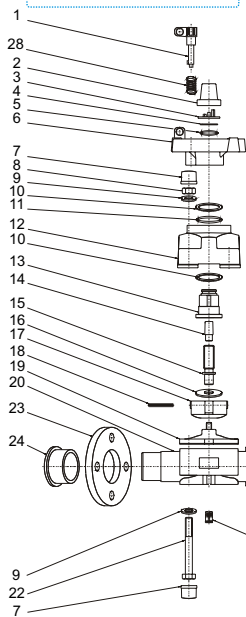
DN 15 - DN 50



DN 65 - DN 80



DN 15 - DN 50



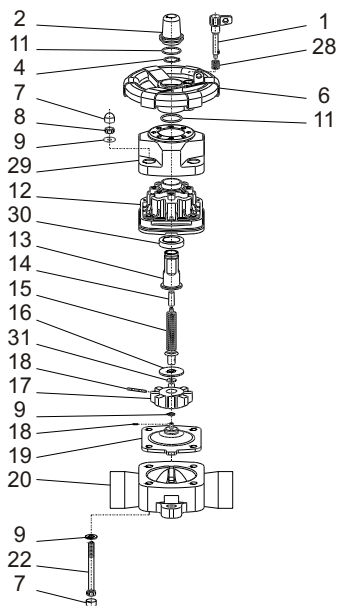
d	20	25	32	40	50	63	75	90	110	140
DN	15	20	25	32	40	50	65	80	100	125
G	1/2"	3/4"	1"	1 1/4"	1 1/2"	2"	2 1/2"	3"	4"	5"
M	17,0	17,0	21,0	33,0	33,0	40,3	25,0	25,0	25,0	25,0
H	100,0	100,0	107,0	144,0	144,0	170,0	260,0	260,0	330,0	330,0
B	86,0	86,0	86,0	136,0	136,0	136,0	234,0	234,0	234,0	234,0
D	43,0	53,0	60,0	74,0	83,0	103,0				
F	25,0	25,0	25,0	45,0	45,0	45,0				
Lift	9,0	9,0	11,0	22,0	22,0	28,0	35,0	35,0	45,0	45,0
K	M6	M6	M6	M8	M8	M8				
L	124,0	144,0	154,0	174,0	194,0	224,0	284,0			
L1	130,0	150,0	160,0	180,0	200,0	230,0	300,0	310,0	350,0	400,0
T	12,0	12,0	12,0	15,0	15,0	15,0				
Z	96,0	114,0	122,0	142,0	160,0	190,0				
A	90,0	108,0	116,0	136,0	154,0	184,0				
t	16,0	19,0	22,0	26,0	31,0	38,0	44,0	54,5		
PN	10,0	10,0	10,0	10,0	10,0	10,0	10,0	10,0	10,0	10,0

Dimensions in mm!

Parts:

- | | |
|------------------------------------|------------|
| 01. Positioning bolt | POM |
| 02. Sight glass | ABS |
| 03. Indication disk | PP |
| 04. Circlip | A 2 |
| 05. Shim | PTFE |
| 06. Gear wheel | PP |
| 07. Cover | PE |
| 08. Hex nut | A 2 |
| 09. Shim | A 2 |
| 10. Disk | PTFE |
| 11. O-Ring | EPDM |
| 12. Bonnet | PP-GF |
| 13. Screen socket | Ms |
| 14. Positioning indicator | PS |
| 15. Dowel pin | 1.4305 |
| 16. Distance disk | 1.4305 |
| 17. Compressor | PP-GF |
| 18. Dowel pin | A 2 |
| 19. Diaphragm | EPDM |
| 20. Bottom | PVC |
| 21. Insert nut | Ms |
| 22. Screw | A 2 |
| 23. Flange | PVC |
| 24. Flange adaptor | PVC |
| 25. O-Ring | EPDM / FPM |
| 26. Solvent cement socket | PVC |
| 27. Union nut | PVC |
| 28. Spring | 1.4401 |
| 29. Covering for Bonnet | PP |
| 30. Axial deep groove ball bearing | A 2 |
| 31. Shim | A 2 |

DN 65 - DN 80



General:

- Sealing material: EPDM / EPDM-PTFE / FPM
- Body material: PVC-u - PP - PVDF
- Dimensions: DN 15 / d 20 - DN125/d140

Operating pressure:

DN 15 / 1/2" - DN 125 / 5" 10 bar

Connections:

- Solvent cement socket (ASTM, DIN, JIS)
- Solvent cement spigot (DN 15 - DN 65) (ASTM, DIN, JIS)
- Flange connection (ANSI, ASA, DIN, JIS) DN 65 with stub flang and backing ring

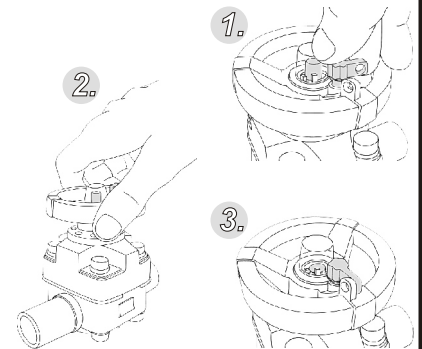
Technical specification:

For example:
 TYPE PRAHER, DIN 2403
 PVC Diaphragm valve T4 DN 15 d 20
 Solvent cement spigot ASTM
 Sealing material EPDM-PTFE
 Safety gear wheel
 Max. Operating pressure 10 bar

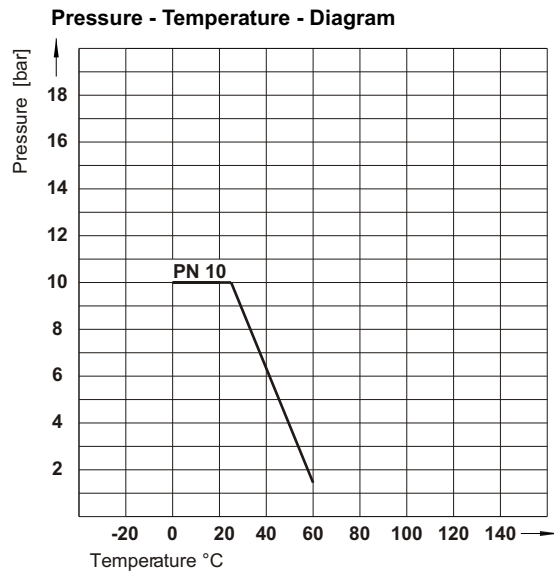
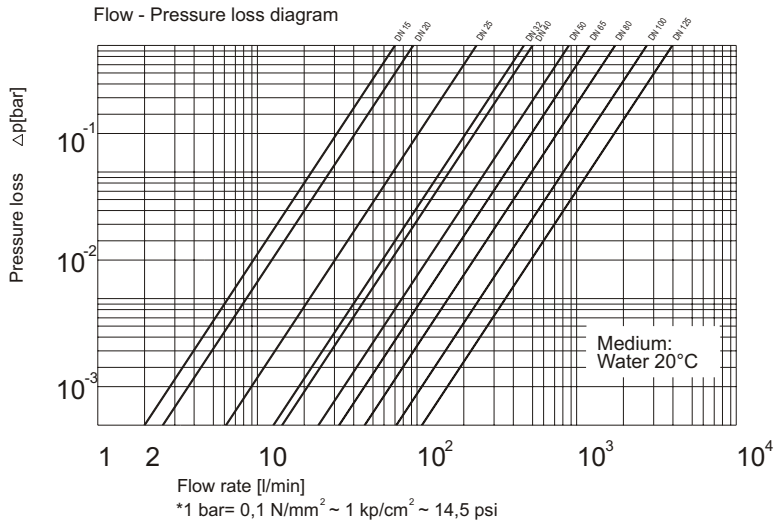
Features:

- safety gear wheel
- corrosion resistant
- maintenance free operation over a long working life
- suitable for aggressive and dirty media
- radial installation or removal
- easy replacement of the diaphragms

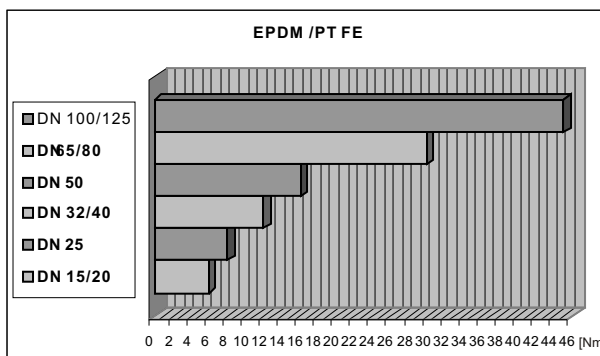
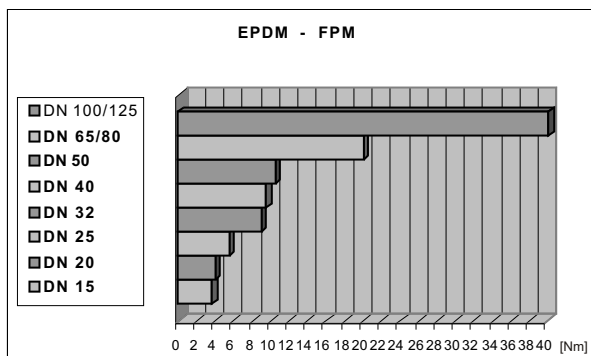
Safety gear wheel



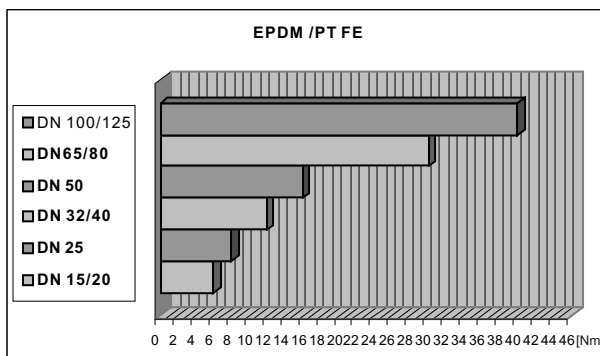
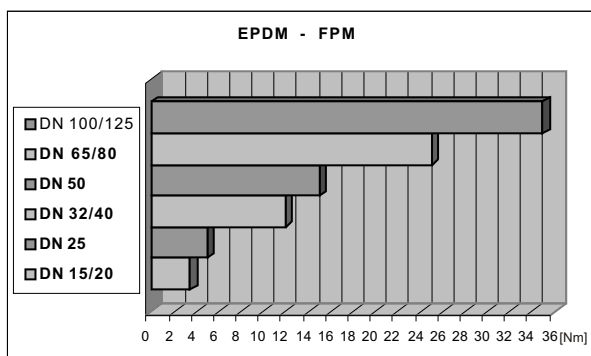
Subjects to technical modification!



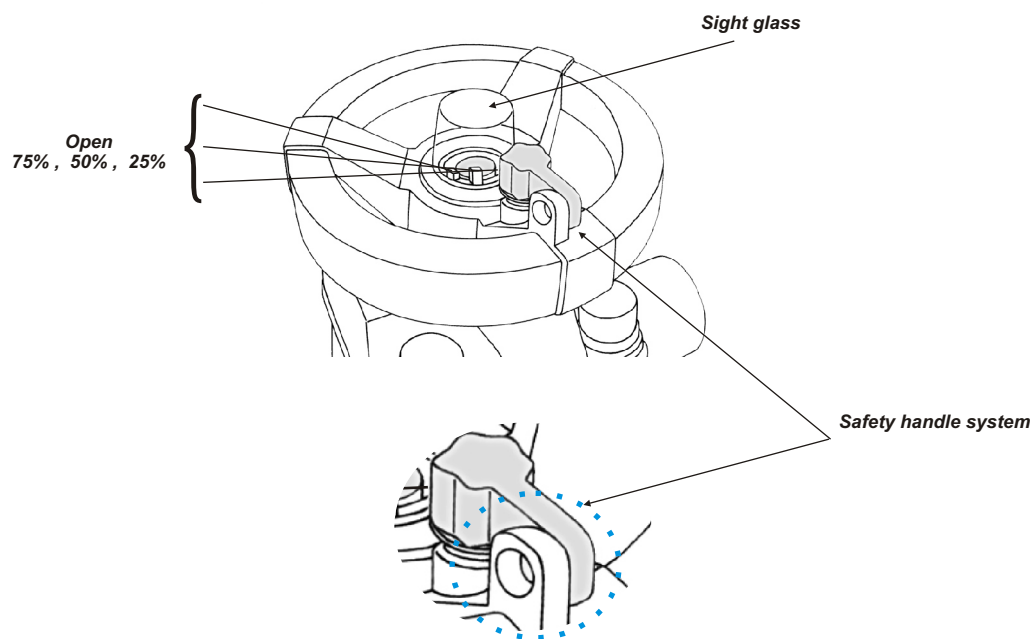
Starting torque of the gear wheel



Starting torque of the screws



DN dimensions for the bonnet!



Notice:

Technical data



A large rectangular area with rounded corners, containing horizontal dashed lines for writing. This area is currently blank.

A large empty rectangular box, likely intended for a drawing or additional technical information. This area is currently blank.